

BioLet



Composting toilets
Water toilets
Incinerating toilets
Separating toilets
Grey water system



Once again – Best in test.

The only Nordic Ecolabeled
toilet on the market



3052 0005

The beauty of

BioLet gives you a stylish, easy-to-maintain and luxurious biological toilet for your holiday home, without a sewer. It is Swedish made and a true environmentalist. No chemicals; just nature! Use it just like any other ordinary toilet.

A distinctive feature of the BioLet is that the biological degradation process takes place in the toilet, thanks to a patented technology that made BioLet the best selling biological toilet in the country. BioLet is virtually maintenance free, comfortable, as well fresh and stylish as a conventional toilet. And when it's time to carry out the small humus tray (1-2 times a season for holiday use), there is only 5-10 percent remaining that is now turned into the finest humus, as a gift back to nature. Simple, comfortable, clean and fresh and long-term sustainable.



New!

If your BioLet is labeled AI – Auto Intelligence – then the toilet takes care of itself.

Overnight guests one day, followed by an empty house the next – with AI technology you can finally welcome variations. The toilet can always be used immediately, without waiting time, and it takes care of itself. The brain of the AI technology in BioLet AI is a small processor that controls and detects how much the toilet is used. It has full control of the situation so you can relax and enjoy your free time. BioLet AI controls and regulates so you don't have to, no matter how large the variations in usage. You do not even need to "flush".

simplicity



The only Nordic Swan Ecolabeled toilet.

If you want the most eco-friendly biological toilet, the Nordic Swan Ecolabel is a safe card. BioLet stands alone on the market with this label, which covers quality and capacity as well as environmental issues. The full test report can be found at: www.biolet.com



Best in Test — again.

Once again BioLet has been awarded best in test. The Meidän Mökki magazine "Our Cottage", which is one of the largest Finnish magazines for holiday home owners, conducted field tests in 2016 where BioLet was clearly chosen as the best solution in competition with incinerating and freezing toilets. More information can be found on our website www.biolet.com

Using the new AI technology, the toilet adapts itself as needed – automatically and intelligently

BioLet 65ai and 55ai (the ai stands for auto intelligence) is the new generation of BioLet that adjust the capacity as required. BioLet works for many users in quick succession without waiting times, even “flushing” is automatic. In BioLet, waste and paper are composted directly, using an ingenious technique that makes it extremely easy and trouble-free for users of the toilet.

Naturally, the toilets are attractive and fresh with a compost cover and soft closing seat, to increase simplicity and comfort.



65ai

BioLet 65ai is our flagship model and the only toilet on the Swedish market that has passed the extensive requirements for Nordic Swan Ecolabeling. The toilet has a large capacity and is so comfortable that you can easily forget that it is not a conventional toilet.

BioLet 65ai has passed the most comprehensive tests available in terms of environmental requirements, operating economy, functional requirements and quality. Read more about Nordic Swan Ecolabeling on page 8.

Capacity: 4-6 people for seasonal use, 4 people for permanent use.
Max power: 355 W/h.
Dimensions: Height 66 x Width 65 x Depth 81 cm.
Required floor space: 65 x 135 cm.
Sitting height: 51 cm.



55ai

BioLet 55ai is similar to BioLet 65ai, except the capacity for normal use and occasional extra load are not quite as extensive. The difference between the two is the size of the toilet.

If you do not need the large capacity, but want a toilet with the same fine qualities as BioLet 65ai, then this is the model for you.

Capacity: 4 people for seasonal use.
Max power: 355 W/h.
Dimensions: Height 65 x Width 55 x Depth 71 cm.
Required floor space: 55 x 110 cm.
Sitting height: 51 cm.





If you do not have the same need of technology and capacity, then a more traditional BioLet is a good option.

In BioLet, the waste and paper are composted directly using an ingenious method that breaks down 90-95% of the waste. All models feature this effective composting (degradation).

In BioLet 15e and 25e the heat is simply adjusted in relation to the use. BioLet 15e and 25e are suitable for small holiday homes. Naturally, the toilets are attractive and fresh with a full compost cover, to increase simplicity and comfort.



25e

BioLet 25e has the same characteristics as BioLet 15e (below), but is more comfortable as “flushing” occurs automatically after each visit to the toilet. This also makes life easier for guests and children.



Capacity: 1-3 people for seasonal use.

Max power: 355 W/h.

Dimensions: Height 65 x Width 55 x Depth 71 cm.

Required floor space: 55 x 110 cm.

Sitting height: 51 cm.

15e

BioLet 15e is our basic model where you turn a handle to “flush” after each visit.



Capacity: 1-3 people for seasonal use.

Max power: 330 W/h.

Dimensions: Height 65 x Width 55 x Depth 71 cm.

Required floor space: 55 x 110 cm.

Sitting height: 51 cm.



Eco-friendly luxury – clean and

BioLet is a biological toilet that produces humus from waste, in the toilet itself. Composting takes place using nature's own micro-organisms. The toilet is called BioLet because it produces natural humus, without separation and bags. An ecofriendly luxury – without water and sewer.

News!

If your BioLet has the designation AI – Auto Intelligence – then the toilet takes care of itself.



Ask for the Nordic Swan Ecolabel.

A Nordic Swan Ecolabel means that the product is tested and environmentally approved according to criteria established by the Swedish Environmental Protection Agency, the National Board of Health and the Consumer Agency. This is the most comprehensive test and includes environmental testing as well as quality control.



If you want the most ecofriendly biological toilet, the Nordic Swan Ecolabel is a safe card. The full test report can be found at: www.biolet.com

Easy installation.

Follow the simple instructions and the rest will also be easy. The toilet is installed indoors and electricity is required. We recommend that you buy the special installations kit for either ceiling or wall (see figure).

Party-kit.

install our "Party- kit", which takes care of occasional over loads.

Quality – and warranty.

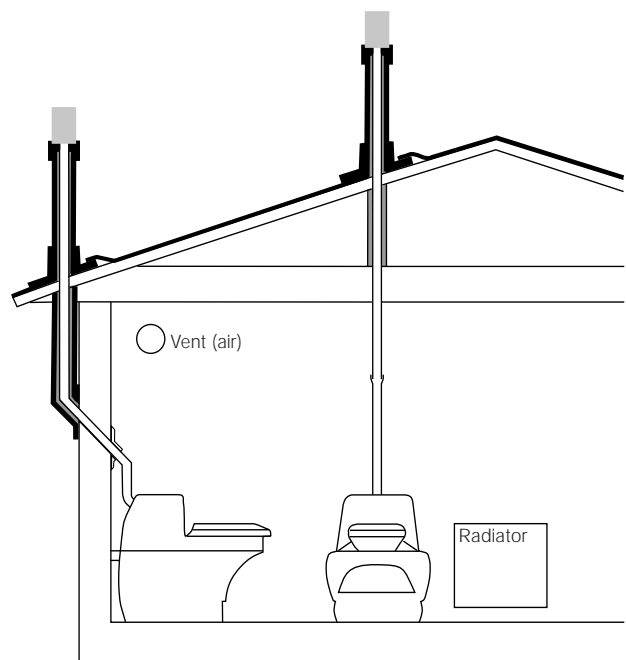
Good things are made to last. If something goes wrong, we provide a 2-year warranty on electrical components and 5 years on other materials (not labor). As a satisfied customer you are our best ambassador.

From a sustainability perspective makes BioLet a unique product series designed for the informed user, who places high demands on the supplier in terms of comfort and environmental aspects.

Installation kit roof



Installation kit wall



Simply follow the step by step installation instructions. It's that easy.

fresh without water and sewer!

Maintenance.

If you appreciate the greatest possible comfort, even when it comes to maintenance, then you need to choose BioLet. Instead of emptying ash or other residual products every week in your holiday home, you only need to carry out a small humus tray 1-2 times per season. Easy, clean and fresh. After use by 4 people full-time during a holiday season of 8 intense weeks, all that remains is taken care of a single small tray.

Best in Test — again.

BioLet has once again finished top of the list. The Meidän Mökki magazine "Our Cottage", which is one of the largest Finnish magazines for holiday home owners, conducted field tests in 2016 where BioLet was clearly chosen as the best solution in competition with incinerating and freezing toilets. Read all the arguments why BioLet is considered to be clearly the best solution according to the test: www.biolet.com

Final assessment of the test:

Criteria and significance	BioLet	Incinolet	Biolan Icellett
Installation (10%)	4.0	3.8	5.0
Convenience of use (40%)	4.6	4.4	2.3
Function (30%)	4.3	4.7	3.7
Energy consumption (20%)	4.5	1.0	4.7
Mark:	4.4	3.8	3.5



BioLet 55ai and 65ai feature a soft closing seat.



The compost cover opens automatically when you sit down, it is easy to forget that it is not a conventional toilet.



Used by four people during a season and what remains to be taken care of is a small tray with humus.

BioFlush – Flushwater toilet without sewer.

BioFlush

Flush ecofriendly

BioFlush is a fantastic innovation for those who would like a nice, comfortable porcelain toilet with water flushing, even though the house lacks a sewer. If you have electricity and water, we have the solution. BioLet BioFlush consists of a low-flush toilet and a small ingenious composting chamber.

There are two composting chambers, which are used alternatively, the overflow comes into effect when overloaded. Thanks to simple and smart technology, this becomes pure and fine humus that you return to nature' cycle, completely without chemicals, ready for the roses or tomatoes.

Capacity: 4-6 people for seasonal use.

Max power: 990 W/h.

Dimensions of the compost tank: Höjd 70 x Bredd 97 x Djup 80 cm.

Dimensions of seat with tank: Höjd 65 x Bredd 37cm x Djup 62cm.

Sitting height: 43 cm.



The installation is simple and flexible. The composting chamber can be placed up to 10 meters from the toilet, however, there needs to be a gravity from the toilet to the composting chamber, which can be placed in the basement or a space outside the house.

Complete package:

Toilet, composting chamber, ventilation package 4 m, sewer hose 5 m. Converter with connection cable

How BioFlush works!

Porcelain toilet

The toilet is made of porcelain and is connected to the water supply. Connected to the composting chamber using the supplied hose and electrical connection.

Composting chamber

The BioFlush composting chamber should be placed weather protected and kept above freezing while in use. The composting chamber can be placed within 10 meters from the toilet. The secret is the ingenious composting process where solid waste is composted and the liquid evaporates through heat and venting.

Electrical installation

The area where the composting chamber is located should have ground power outlet.

How the process works

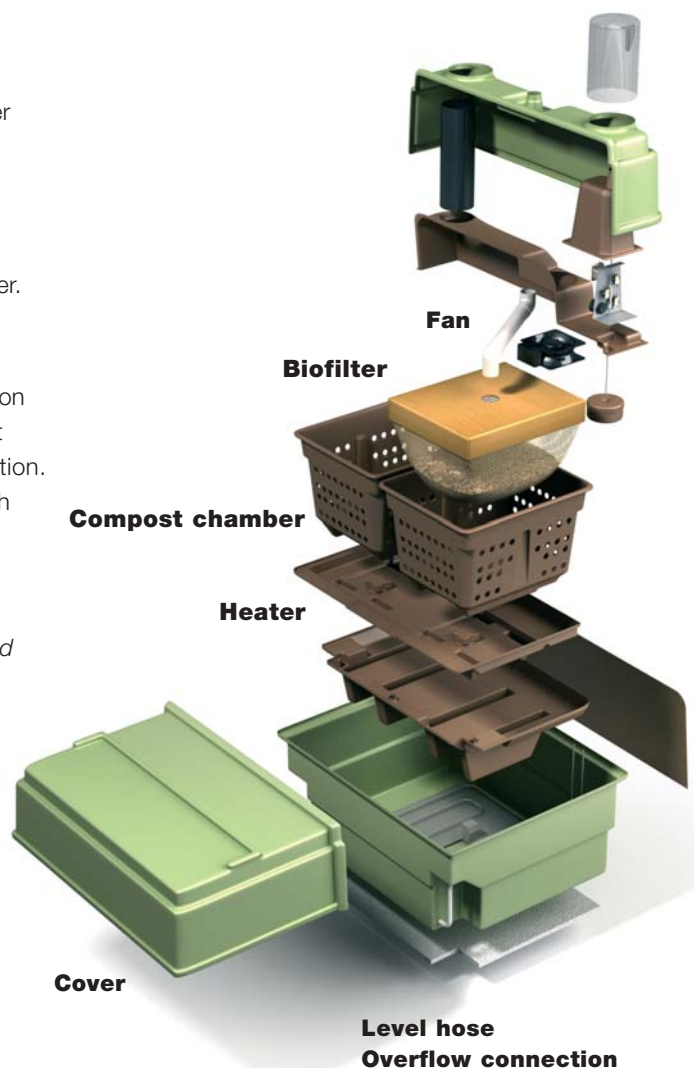
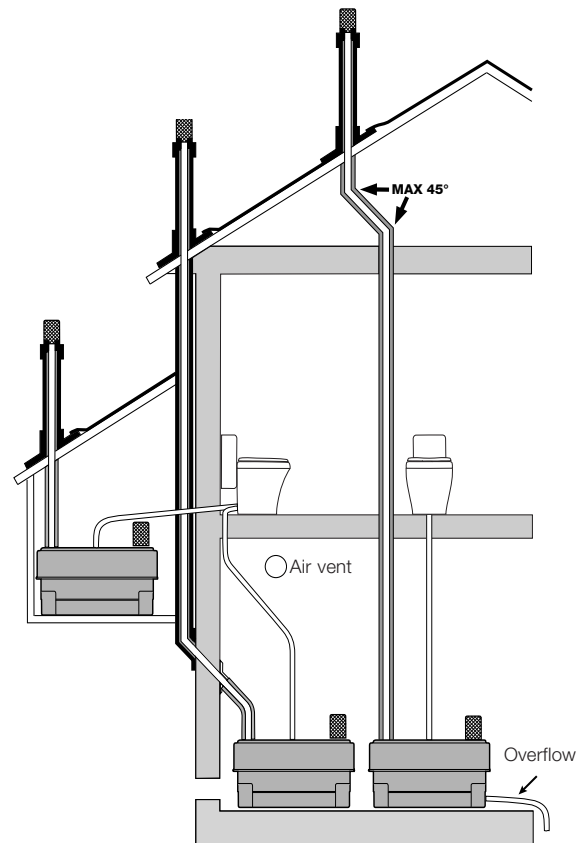
What happens from visiting the toilet until finished, nature-friendly humus is given back to nature? After flushing, the waste is pumped to one of the compost chambers in the container. Solid waste stays in the Biofilter and the liquid drains through the filter and evaporates through ventilation and heat. The fan and heater are controlled by a float to maintain the correct moisture content in the compost. After about 60 days of use, you switch the connection to the next chamber, so that the first chamber gets composted (performed by a simple manual operation). When it is time once again to switch, you take out the first chamber, with the ready humus. Simple, hygienic and put in a new biofilter.

Installation - most important of all

Follow the simple directions for the installation. The installation effects the capacity of your BioFlush. Consequently, do not use too sharp or too many bends, and insulate all ventilation. Uninsulated pipes and sharp bends slow the airflow, which has a negative impact on the capacity and function.

Use normal toilet paper

A common question is about the choice of toilet paper, and our answer is: Use the toilet paper you are used to.



New generation of incinerating toilets

Ecolet incinerating toilet has all the features you can think of using a toilet that does not need water or sewer system. Suitable for year-around, as well as vacation homes.

It is very hygienic and comfortable to use, you might not even notice the difference from your ordinary toilet. Flushing; just touch the button and the waste is gone. Hygienic; before using, put the specially made bag into the toilet. It handles up to six people in daily use.

Ecolet is well designed and does not take more room than an ordinary toilet. It is easy to install, you do not need an electrician or plumber. All you have to do is put the toilet on the floor where you want it, make a hole for the ventilation pipe and install the ventilation pipes. A complete installation kit can be purchased separately. Ecolet is the second generation of incinerating toilets with the unique induction heating which means higher efficiency by 60% and capacity up to 12 people/day. Through induction heating, the waste (feces, urine and paper) is heated more directly and immediately, which means that the process is faster, resulting in higher capacity and is therefore more economical. All components are of the very highest quality.

Capacity: up to 12 people.
Max power: 1350 W/h.
Power while incinerating: 850 W.
Dimensions: Height 59 x Width 40 x Depth 58 cm.
Required floor space: 55 x 110 cm.
Sitting height: 54 cm.
Weight: 34 kg.

**New generation
induction heating** 

**60% lower energy
one touch operation**

High capacity



How to use the Ecolet

Since there is no water to flush the toilet, you need to put a specially made bag into the toilet before use, which makes it very hygienic (figure 1).

After your visit, close the seat cover and touch the button "for flushing" and the waste will disappear for incinerating. Just touch the button quickly and the long cycle will start taking care of the waste. The button will turn to orange showing that the cycle has started. For the short visit (urinating), press the button for two seconds in order to start the short incinerating cycle. The button will turn to blue showing that the short cycle has started (figure 2).

When it is time to empty the ashes, you just wait for a while after the last visit to let it cool down. The front cover can only be removed when it has cooled down, making it safe to handle (figure 3).

As a rule of thumb, 4 people using the toilet daily, you empty the ashes approximately once every two weeks. All that you empty is about a cup of ashes which is sterile and can be put in the garden as fertilizer for plants that thrive in high acidity. (figure 4).





Separera – for those small needs.

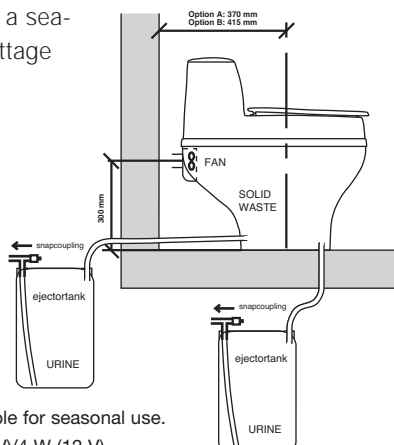
Principle of Separera

What does it mean to separate toilet waste? That the toilet is designed so that solid waste is separated from the liquid (urine) when using the toilet. This means that it has two containers, one for urine and the other for solid waste. The Separera can use 12V fan or No Electricity at all if chimney is installed f.i. using our installation kit.

30

Separera 30 is small and stylish with an elegant design. Compost cover so you don't have to see the waste.

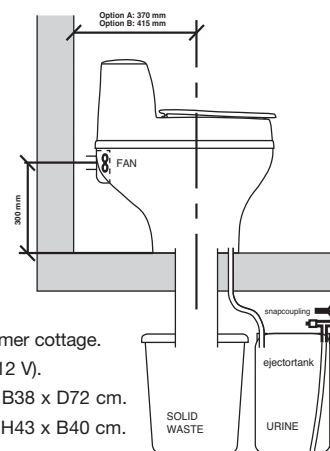
The solid waste container is easy to take out by using the fixed-mounted handle. It's volume is such that it normally copes with a season in a summer cottage with 3-4 people.



30 - Capacity: 3-4 people for seasonal use.
Max power: 16 W (230 V)/4 W (12 V).
Dimensions toilet seat: H64 x B40 x D68 cm.
Sitting height: 43 cm.

40

On Separera 40, the waste container has been placed under the toilet which gives a larger volume and allows for longer use – or by more people. Many people also find it more pleasant that the waste is outside the bathroom. There is an opening with a cover on top of the toilet where vegetable leavings can be put for composting.



40 - Capacity: 4-6 people, summer cottage.
Max power: 16 W (230 V)/4 W (12 V).
Dimensions toilet seat: H69 x B38 x D72 cm.
Waste container dimensions: H43 x B40 cm.
Sitting height: 43 cm.



Grey water system.

The systems are compact for treatment of bath, dish and washing water, except the toilet water. Grey water from the household enters and passes the system by means of gravity. The function of the filters is based on both mechanical and biological purification. An organic filter material is used in the filters that the contaminants in the wastewater become trapped and the microorganisms on the surface of the filter material use this as nutrients. The air supply to the microorganisms is essential for the operation of the system. In through the lower ventilation valve and out through the upper valve. Treated wastewater from the system can then be diverted into the ground.

The systems are available in two versions "Holiday" and "Permanent" models, the capacity per filter is 300 liters/24 hours. For greater needs, connect two systems together for double capacity.

Summer season

The systems is made of freezing resistant materials, is uninsulated and is deigned for summeruse.

Dimensions (width x height x depth): 560 x 580 x 960 mm.
Pipe connections: Ø 75 mm for sewer pipe.
Height difference in and outgoing connections: 450 mm (height of fall).
Capacity: 300 liters/24-hour/module.
Weight without filter material: 24 kg.



All year round

The systems is made of freezing resistant materials, is insulated and deigned for use all year round.

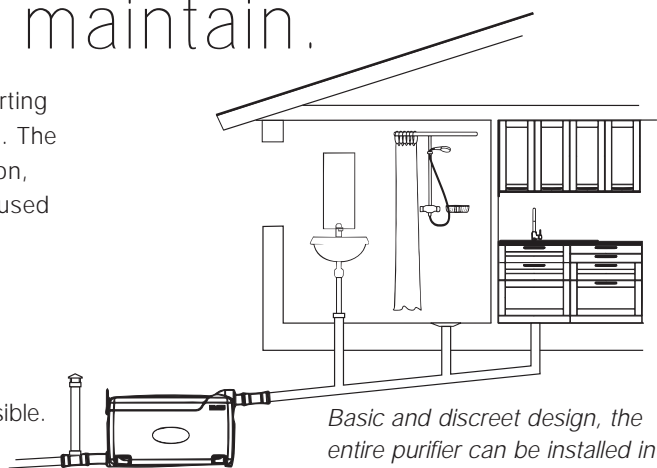
Dimensions (width x height x depth): 600 x 700 x 1010 mm.
Pipe connections: Ø 75 mm for sewer pipe.
Height difference in and outgoing connections: 530 mm (height of fall).
Capacity: approx. 300 liters per day.
Weight without filter material: approx. 38 kg.

Easy to install and maintain.

Swedeco Grey water systems placed directly on a supporting bed of e.g. gravel or macadam. The surface must be level. The system can be placed outdoors without weather protection, however, for use all-year round, a heating coil should be used or it should be placed in area that is not freezing.

Accessories:

Heating coil – to ensure the function at low temperatures.
Pump-package – for installations where a gravity is not possible.
Filter material.



BioLet is a biological toilet that produces humus directly where it's installed. The humus is returned to nature.

Our largest model, BioLet 65ai, is the market's only biological toilet that is environmentally approved and features the Nordic Swan Label. www.svanen.se

You now understand why BioLet is Sweden's most purchased biological toilet.



SwedEco

Swedish Ecology AB » Klippan 1J » S-414 51 Göteborg » Sweden
Tel: +46 31 42 29 30 » Fax: +46 31 42 49 08 » info@mulltoa.com
www.mulltoa.com

